

BW | Series

BACKUP WRENCHES

THE **BW-SERIES** MAGNETIC BACKUP WRENCH, THE SIMPLEST WAY TO STOP A NUT FROM ROTATION. EASY TO USE AND VERSATILE

When torquing or loosening nuts, the thin profile of the BW Backup wrench prevents the nut on the opposite side of the stud from turning.

No hydraulic, just mechanical & HANDS FREE OPERATION Eliminates also hand & finger injuries

Eliminates sparks caused by the use of slugging / striker wrenches.
Reduces time of operation & so improves productivity.



BOLTING SOLUTIONS

MAGNETS EMBEDDED

creates a magnetic field force that attracts it to other ferromagnetic materials.

BI-HEXAGONAL DESIGN

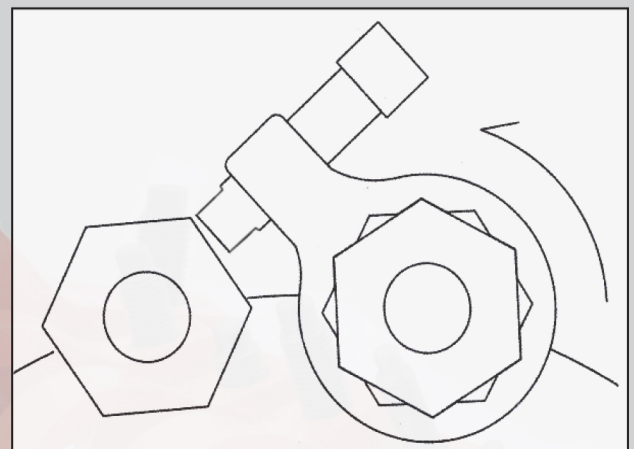
provides the ultimate mixture of versatility and durability

HIGH STRENGTH

heavy duty heat treated material.



BACKUP Wrenches are safer than the conventional backup spanners for a number of reasons. Firstly and foremost they are completely hands Free, are lighter and easier to carry than conventional backup spanners and they are available with tie offs and tethers for fall protection. The BW-SERIES Magnetic Backup Wrench is available in standard sizes from 1-1/4" to 5-3/4", and is also available in metric sizes from M30 to M145.



**WIDE RANGE OF METRIC AND IMPERIAL SIZES AVAILABLE****Nut Across Flat Range****30 mm - 145 mm****1 1/4" - 5 3/4"**

Model	Across Flat (mm)	Across Flat (in)	Load Limits (Ft.lbs)	Load Limits (Nm)
BW104	30	1-1/4"	2400	3254
BW107	36	1-7/16"	2500	3390
BW110	41	1-5/8"	3500	4745
BW113	46	1-13/16"	3500	4745
BW200	50	2"	4100	5559
BW203	55	2-3/16"	4200	5694
BW204	57	2-1/4"	4300	5830
BW206	60	2-3/8"	4300	5830
BW209	65	2-9/16"	4550	6169
BW212	70	2-3/4"	5600	7592
BW215	75	2-15/16"	6300	8542
BW302	80	3-1/8"	7000	9491
BW308	85	3-1/2"	7200	9762
BW311	90	3-11/16"	7300	9897
BW314	95	3-7/8"	9000	12202
BW400	100	4"	24000	32539
BW402	105	4-1/8"	24000	32539
BW404	110	4-1/4"	24000	32539
BW408	115	4-1/2"	25000	33895
BW410	120	4-5/8"	27000	36607
BW500	130	5"	27000	36607
BW506	135	5-3/8"	27000	36607
BW512	145	5-3/4"	28000	37962